

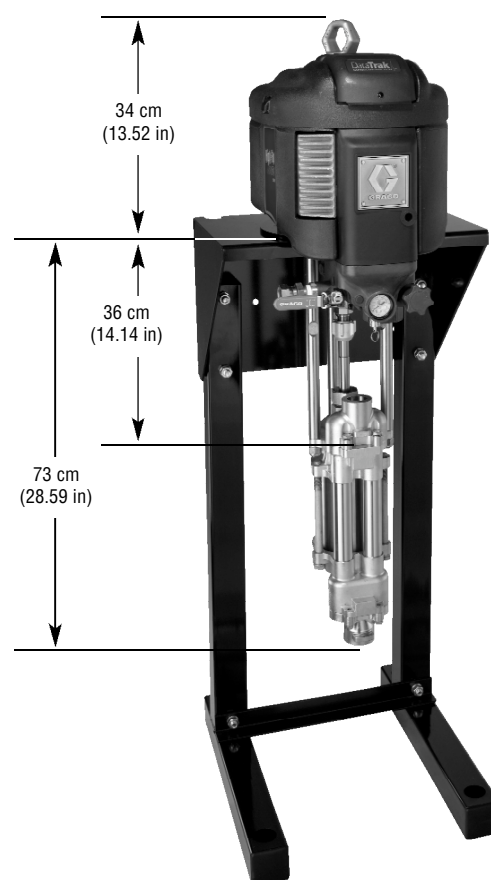
# High-Flo®

## 1500 series Pneumatic Supply Pumps

**Midrange High-Flo pumps provide increased performance and a lower cost of ownership.**

- Positive displacement, 4 ball piston design provides large output per cycle for reduced pump wear
- Small displacement rod design reduces sealing area to minimize throat leakage
- Gentle pumping action produces a low shear output for shear sensitive materials
- Stainless steel and Severe Duty carbon steel models available to handle a variety of fluids

### Dimensions

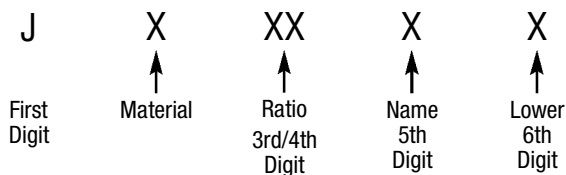


### Technical Specifications

Model	3_1500	4.5_1500
Inlet air pressure	2.8-7 bar (40-100 psi)	2.8-7 bar (40-100 psi)
Max fluid pressure	20 bar (290 psi)	32 bar (450 psi)
Flow at 60 cpm	88 lpm (23 gpm)	88 lpm (23 gpm)
Volume per cycle	1.46 l (0.39 gal)	1.46 l (0.39 gal)
Air motor size	15 cm (6 in)	19 cm (7.5 in)
Pump inlet	1-1/2" npt	1-1/2" npt
Pump outlet	1" npt	1" npt
Weight	44 kg (96 lb)	46 kg (100 lb)
Instruction manual	311211	311211

# Ordering Information

## High Flo 1500



Material		Ratio		Name			Lower				
C = carbon steel		Ratio x10	Motor	Digit	Exhaust	Smarts	Digit	Fittings	Rod Material	Cylinder Material	Lower Pin
S = stainless steel		30	2200	L	Low Noise	None	1	NPT	Chromex	Chrome	253034
		45	3400	M	Low Noise	DataTrak	2	NPT	Maxlife	Maxlife	253569
				N	Low Noise	DataLink	3	BSPP	Chromex	Chrome	253085
				R	Remote	None	4	BSPP	Maxlife	Maxlife	253397
				S	Remote	DataTrak	5	Tri-Clamp	Cromex	Chrome	253521
				T	Remote	DataLink	6	Tri-Clamp	Maxlife	Maxlife	253524
							7	NPT	Chromex	Nitride	253062

## Standard Kits

- 277362** UHMWPE piston seal kit
- 277357** UHMWPE/Leather throat seal kit
- 15H280** Chromex piston rod
- 15H589** Maxlife piston rod
- 183048** Chrome cylinder
- 15H453** Maxlife cylinder
- 181900** Nitride cylinder (CS)

## Optional Kits

- 277363** PTFE piston seal kit
- 239866** PTFE throat seal kit
- 277356** Leather throat seal kit

## Accessories

- NXT011** Integrated air control
- 255143** Wall mount bracket kit
- 253692** Floor stand
- 253679** Wall mount bracket
- 247312** Wall mount and floor stand adapter for 2200 motor
- 110335** Packing wrench
- 261721** Wet cup booster cup